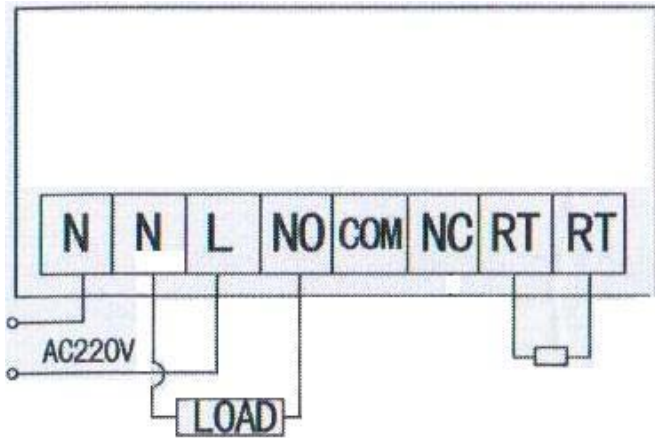


### Installation:

- Installs the size: standard 86 junction box
- Turns on the hook
- Takes down a row of line
- Connecting the wires
- Fixing the thermostat with two screws
- Inserts a row of line
- Catches the shell, the installment finished.

### Wiring:



### Model 2010A5 Programmable Thermostat

2010A5 series , large LCD digital thermostat, 110/220 VAC+10%, 16A/20A thermostat for hot water radiant heating systems and electric heating cable system. It can install in a standard 2 inch by 4 inch electrical box or 86mmx86mm or flush mounting.

### Basic function:

1. Recommended for control of underfloor heating and electrical heating.
2. Electronic on/off control up to 4000W, 16A or 5000 W, 20A
3. Six daily programmable time settings, Mondays to Sundays
4. Large Back-lit display, LED Screen ,easy-to-see and read
5. Infrared remote-controlled function(option)
6. Built-in interrupter.
7. Two work mode switchover: (programmable, non programmable )
8. Display temperature recalibrates
9. Low temperature protection function
10. Surveys, display and set room temperature
11. Memory function : parameters are permanently held in memory and retained during power outages.
12. Anti-freezing protection
13. 2-sensor :Room sensor with floor limiter sensor

### Product Specifications:

Voltage: 110 ( $\pm 10\%$ ) VAC / 220( $+10\%$ , $-15\%$ )VAC,50/60Hz

Differential Temperature: 1°C max

Setting Temperature Range: 5°C-35°C

Mounting: mounts directly onto wall or wall-box

Temperature range :0°C - 40°C

Sensor type: NTC





Color : white ivory

Relative humidity: <85% (23°C)

Dimensions: 124mm X 90mm X 34mm (H/W/D)

Size of display: 66 mm X 46mm (H/W)

**Operate 2010A5 thermostat:**

1. Power on/off: Press power button, the thermostat will switch between off mode and on mode. If it is in off mode, the current time will be shown.
2. Temperature setting: Press the up or down button to select the desired temperature setting. Press power or fan buttons to exit setting.
3. Mode setting: Press the  button to enter the heat model .
4. Time setting: Press the  button to set, press the up or down button to adjust the value of time and day.
5. Programmable setting: Press the  button for 3 seconds to set the actual time and events per day, and press the up or down button to adjust the value of time and temperature . Press the  button for 6 seconds, then press the up or down button to set programmable work mode or non programmable work mode. The periods and temperatures can be changed according to requirement. The time schedule can be referred.
6. Display temperature recalibrates: The temperature of every corner is different by convection. The thermostat can be adjusted the value range from -8°C to +8°C of room temperature. Press the "M" button and hold it for more than 6 seconds, the thermostat will enter setting mode, and press up or down button to select the desired temperature setting.

7. Anti-freezing protection: The thermostat is in off mode, press the up or down button in the same time for 3 seconds, "ON" or "OFF" display, and press the up or down button to adjust the value . "ON" means the Anti-freezing protection function is working , "OFF" means the function is cancelled. The factory-setting is "OFF".
8. Over-temperature protection
9. Failure codes:  
 E1= Room sensor short-circuit or disconnected  
 E2=Room sensor open- circuit  
 E3,E4= floor limiter sensor short-circuit or disconnected

**Installation guide**

Must be installed by a trained, experienced technician  
 Read these instructions carefully. Failure to follow these instructions can damage the product or cause a hazardous condition.  
 Always test for proper operation after installation  
 Caution: electrical hazard can cause electrical shock or equipment damage.  
 Disconnect power before installation

**Installation tips**

Install the thermostat about 5 feet (1.5m) above the floor in an area with good air circulation at average temperature.  
 Do not install in locations where the thermostat can be affected by :  
 Drafts or dead spots behind doors and in corners.  
 Sunlight or radiant heat from appliances.  
 Concealed pipes or chimneys.  
 Unheated /uncooled areas such as an outside wall behind the thermostat  
 Pre-installation checklist

Week	Time schedule					
	1	2	3	4	5	6
	Time /°C	Time /°C	Time /°C	Time /°C	Time /°C	Time /°C
Mon.	6:00 / 20	7:30 / 15	11:30 / 20	14:00 / 15	17:00 / 20	22:00 / 15
Tue.	6:00 / 20	7:30 / 15	11:30 / 20	14:00 / 15	17:00 / 20	22:00 / 15
Wed.	6:00 / 20	7:30 / 15	11:30 / 20	14:00 / 15	17:00 / 20	22:00 / 15
Thu.	6:00 / 20	7:30 / 15	11:30 / 20	14:00 / 15	17:00 / 20	22:00 / 15
Fri.	6:00 / 20	7:30 / 15	11:30 / 20	14:00 / 15	17:00 / 20	22:00 / 15
Sat.	6:00 / 20	7:30 / 15	11:30 / 20	14:00 / 15	17:00 / 20	22:00 / 15
Sun.	6:00 / 20	7:30 / 15	11:30 / 20	14:00 / 15	17:00 / 20	22:00 / 15