

Model YKC106B Mechanical Heating Thermostat

YKC106B Thermostat is an electronic on/off thermostat for control of room temperature. The room thermostat is the temperature control element in heating system.

FUNCTION:

- Dual diaphragm sensing element ensures close temperature control for all loads and applications
- Surface wall mounting or conduit box
- Improved easy-to-wire terminals with built-in conductor clamps to ensure wiring is retained securely
- Indicator Lamp
- The thermostat sensing element comprises two circular, flexible metal plates welded together at the rims encapsulating a small quantity of gas (0.125g) in liquid form.

Switch life : Greater than 100,000 operations (all loads) for main switch.



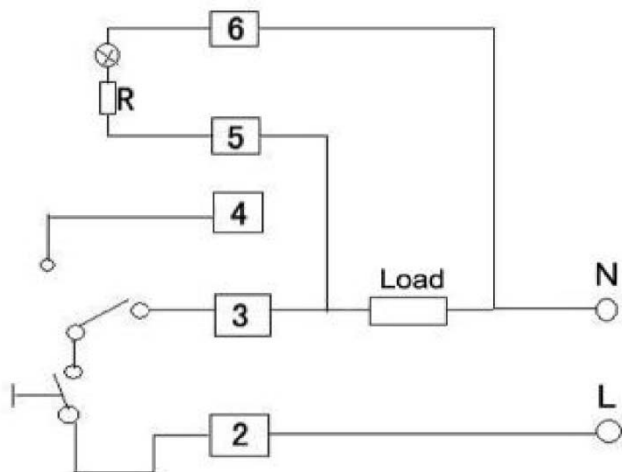
YKC106B Mechanical Heating Thermostat Technical Data

- Supply voltage: 220V+10%, 50/60Hz
- Temperature setting range: 10 to 30°C
- Typical differential :1°C.
- Operating temperature range: 0 to 40°C
- Shipping and storage range : -20 to 50°C
- Humidity range :0 to 90% R.H. (noncondensing)
- Shell: Anti-flammable PC materials

YKC106B Mechanical Heating Thermostat Installation Guide

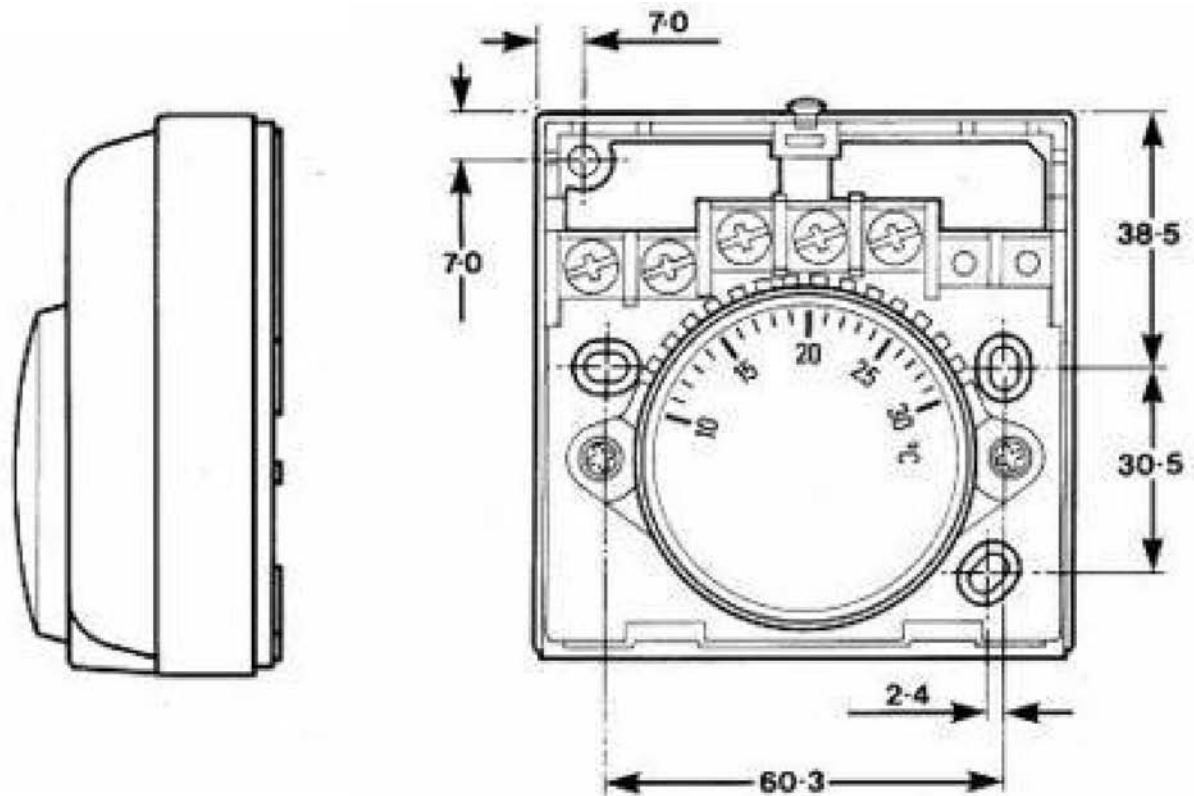
- Must be installed by a trained, experienced technician
- Read these instructions carefully. Failure to follow these instructions can damage the product or cause a hazardous condition.
- Always test for proper operation after installation
- Caution: electrical hazard can cause electrical shock or equipment damage.
- Disconnect power before installation

Wiring: YKC106B Mechanical Heating Thermostat



Heating System

Dimensions of YKC106B Mechanical Heating Thermostat



Installation: YKC106B Mechanical Heating Thermostat

mounting on the wall surface

mounting into the wall box

